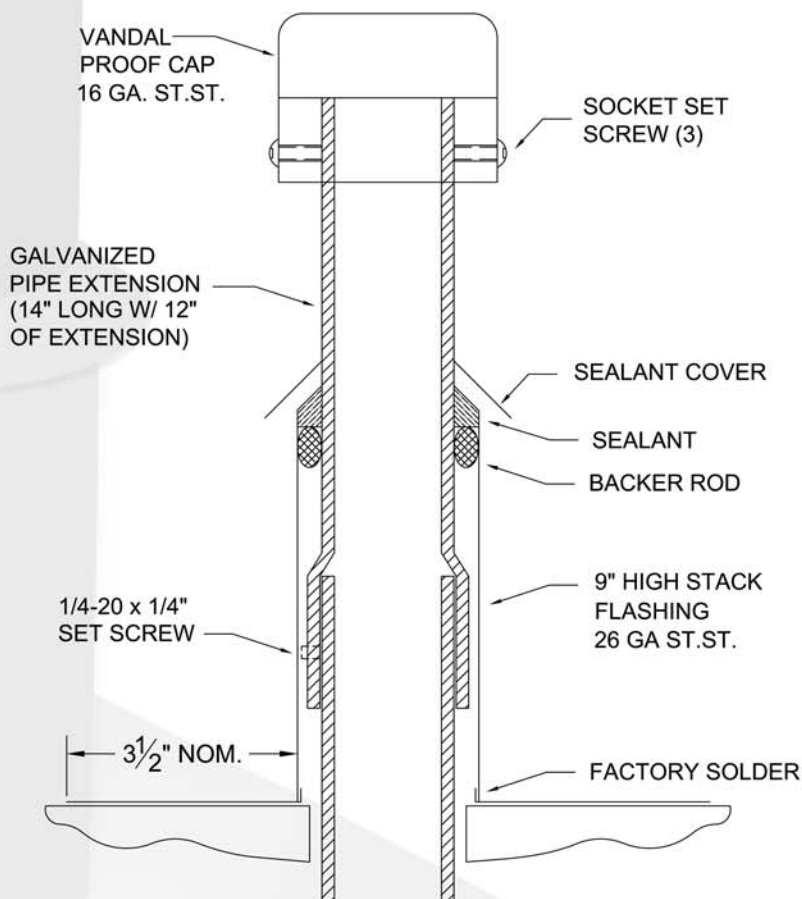
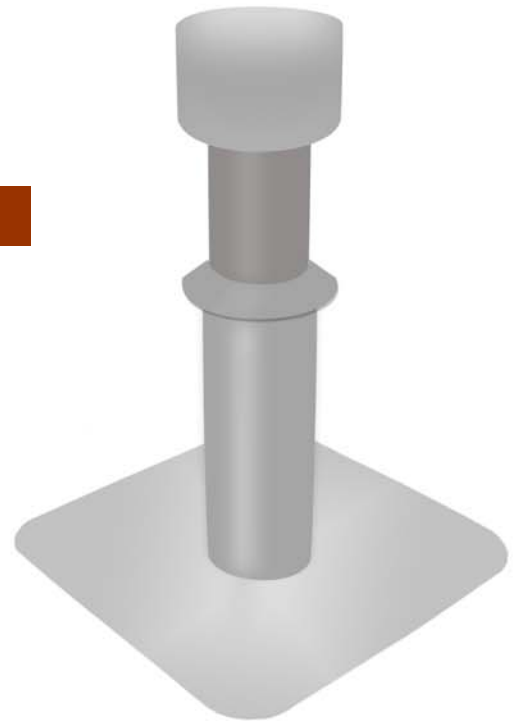


SPECIFICATION SHEET

VTR KIT

MODEL VTREXVP



Model VTREXVP

Slipover Pipe Flashing (Model PL/S), Sealant Cover, Galvanized Pipe Extension, and Vandal Proof Cap

Intended Use:

For extending plumbing vents when roof elevations are raised due to increased insulation thickness or structural modifications.

Advantages and Unique Features:

1. Provides a complete, simple to install, and economical method of extending, flashing, and vandal proofing any plumbing vent.
2. Will not obstruct vent pipe, thus allowing "snaking" of pipe.
3. Vandal proof cap is lightweight and rustproof.

Materials:

1. Pipe Flashing: 26 Ga. stainless steel type 304 2B finish ASTM A240
2. Vandal Cap: 16 Ga. stainless steel
3. Pipe Extension: Galvanized steel - provides 12 inches of extension.
4. 50% lead / 50% tin ASTM B32 or specify non lead solder ASTM 96.5TS