



ROOF FLASHINGS & ACCESSORIES

INSTALLATION INSTRUCTIONS

Model PL/D
2 Piece Pipe Flashing



INSTRUCTIONS

Model PL/D 2 Piece Pipe Flashing

1. Clean penetration using appropriate cleaner from roof deck to 8" high.
2. Holding one base stack half in each hand, mate halves together around pipe starting at top and working down. Tack solder / seal base together.
3. Solder / seal vertical seams then the base flange seams.
4. Inspect all seams for flaws or misses and correct as required.
5. Insert backer rod between pipe and flashing and push down approximately 3/8" to form a pocket.
6. Apply urethane sealant into pocket at top of flashing and tool for positive runoff.
7. Pop rivet sealant cover together directly above sealant, and apply bead of sealant around top and tool.

Note:

Roof preparation prior to setting SBC Roof Flashings on roof, priming, and strip flashing after should be in strict accord with membrane manufacturer's and/or architectural specifications.

Important:

No seams on this unit are manufactured watertight. All seams require field soldering / sealing.

To Solder Seams

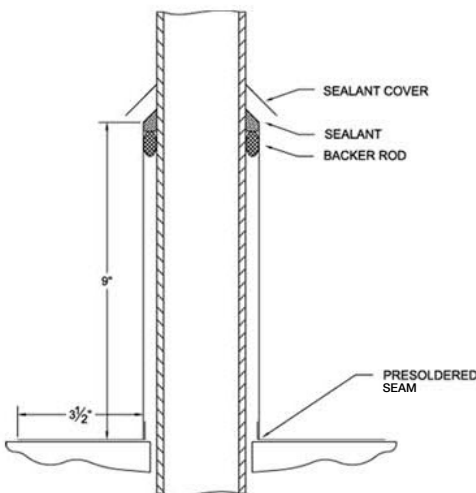
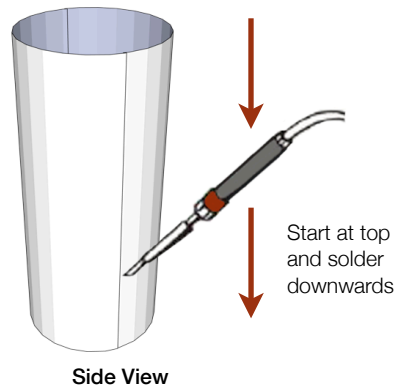
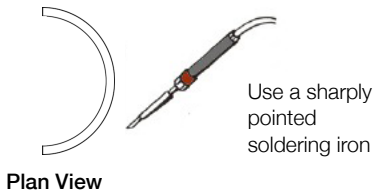
1. Apply a liquid flux intended for use with stainless steel

Lloyd's stainless steel flux by Johnson Manufacturing 563-289-5123

2. Use a pyramid or chisel shaped soldering copper tooled to a sharp point.

3. Use thin bars of 50/50 solder

Available for purchase from SBC Industries - 800-228-2580



Limited Warranty

This warranty on SBC Roof Flashings is given by OB Quiet Inc. D/B/A SBC Industries 1765 Opa Locka Boulevard, Miami, FL 33054 (“SBC Industries”).

SBC Industries provides a 15 year warranty on all SBC Roof Flashings in their standard product line under the terms and conditions listed below:

I. SBC Industries warrants that all SBC Roof Flashings in their standard product line (“the Products”) will perform in accordance with their published specifications and will be free from defects in material and workmanship for a maximum period of 15 years, commencing from date of delivery to end user.

Under this warranty SBC Industries will, at its option, repair or replace any defective Products. Any claim should be made in writing within 14 days following the discovery of any defect. SBC Industries shall not be liable for any costs incurred in the removal of defective items or installation of replacement items nor cost of freight and other associated charges.

II. This warranty shall not apply where:

A. the Product has not been installed in strict accordance with our published installation recommendations;

B. the Product has been installed in an area which has been exposed at any time during the warranty period to corrosive conditions including but not limited to, corrosive chemicals, ash, fumes or condensates of harmful substances generated within or about the building(s) or fixture(s) to which the Product has been applied;

C. defects in the Product are a result of mechanical or chemical damage, which occurred during shipment or storage prior to use;

D. defects are a result of acts of nature or other external forces, including but not limited to, failure to provide free drainage of water from around the areas in which the Product has been installed.

III. To the extent permitted by law, this warranty is given in lieu of all other warranties, expressed or implied, including any warranty of merchantability or fitness for a particular purpose. Where so permitted, the remedies stated herein are exclusive remedies and SBC Industries shall not be responsible for any indirect, consequential or incidental damages or further loss of any kind whatsoever except as expressly provided for in this Warranty.

SBC INDUSTRIES

1765 Opa Locka Blvd, Miami, FL 33054

800-228-2580

www.sbcflashings.com

Model PL/D | 2 Piece Pipe Flashing