



INSTALLATION INSTRUCTIONS

SBC CLAMP UMBRELLA



ALL NRCA TYPE CLAMP UMBRELLAS

# INSTRUCTIONS

## CLAMP UMBRELLA

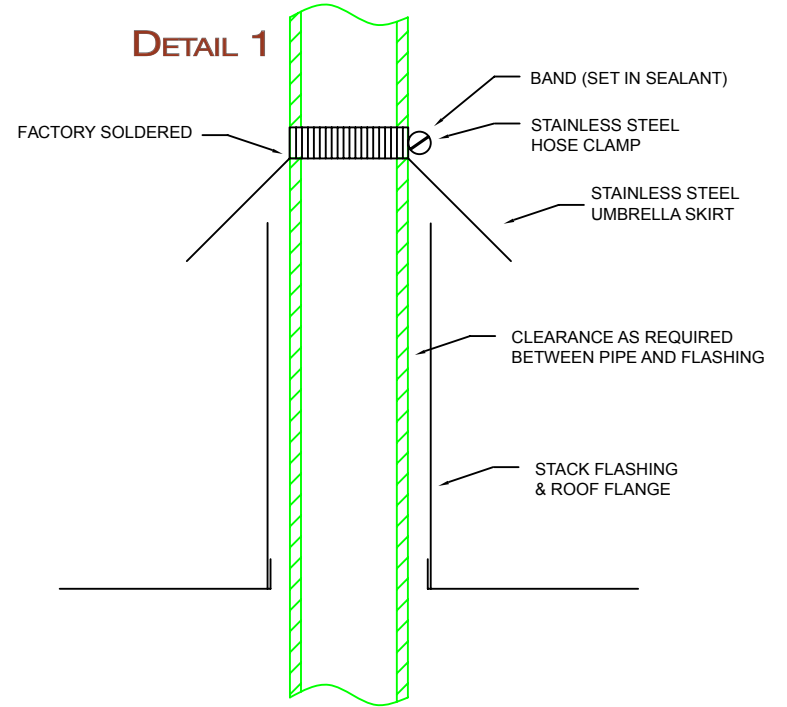
1. RUN A BEAD OF SEALANT AROUND PIPE WHERE BAND OF UMBRELLA WILL CLAMP TO THE PIPE.
2. OPEN UMBRELLA BY GENTLY TWISTING (FOR 2 PC UNITS, PLACE TWO (2) HALVES TOGETHER). WRAP AROUND PIPE. (IF POSSIBLE, SLIDE UMBRELLA OVER TOP OF PIPE)
3. PLACE BAND OF UMBRELLA OVER SEALANT AND SNUG HOSE CLAMP KEEPING UMBRELLA SKIRT WITH HOLES ON THE OUTSIDE OF LAP.
4. CLAMP OUTSIDE EDGE OF UMBRELLA USING A SMALL VICE GRIP, AND DRILL 1/8" DIAMETER HOLES THROUGH EXISTING HOLES INTO FLARE UNDERLAP. RIVET TOGETHER.
5. TOOL ANY EXCESS SEALANT THAT MAY HAVE SQUEEZED OUT OF THE TOP OF COLLAR.

## BELL CAP (DETAIL 2):

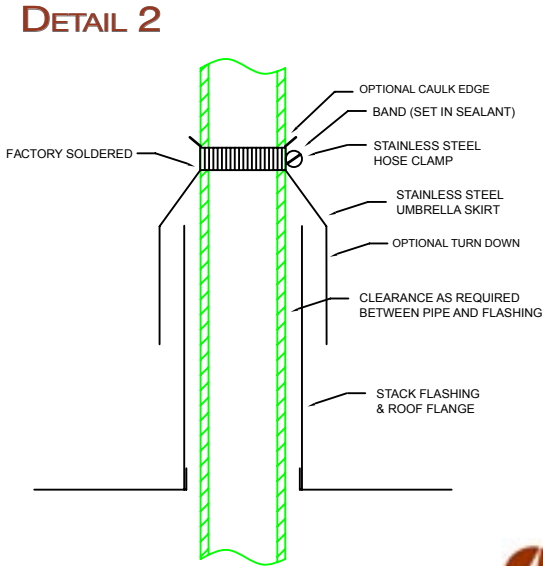
WHEN APPLICABLE (DETAIL 2):  
 CAULK EDGE: TOOL SEALANT INTO CAULK EDGE.

OPTIONAL:  
 SOLDER/SEAL ALL SEAMS.

PROUDLY MADE IN THE  
 USA



UMBRELLA WITH CLAMP  
 NRCA TYPE



BELL CAP UMBRELLA WITH CLAMP

SOLDER: 50% LEAD / 50% TIN  
 SEALANT: SINGLE PART URETHANE SEALANT  
 (I.E. SIKAFLEX 1A)

## Limited Warranty

This warranty on SBC® Roof Flashings is given by OB Quiet Inc. D/B/A SBC Industries 1765 Opa Locka Boulevard, Miami, FL 33054 ("SBC Industries").

SBC Industries provides a 15 year warranty on all SBC™ Roof Flashings in their standard product line under the terms and conditions listed below:

I. SBC Industries warrants that all SBC™ Roof Flashings in their standard product line ("the Products") will perform in accordance with their published specifications and will be free from defects in material and workmanship for a maximum period of 15 years, commencing from date of delivery to end user.

Under this warranty SBC Industries will, at its option, repair or replace any defective Products. Any claim should be made in writing within 14 days following the discovery of any defect. SBC Industries shall not be liable for any costs incurred in the removal of defective items or installation of replacement items nor cost of freight and other associated charges.

II. This warranty shall not apply where:

A. the Product has not been installed in strict accordance with our published installation recommendations;

B. the Product has been installed in an area which has been exposed at any time during the warranty period to corrosive conditions including but not limited to, corrosive chemicals, ash, fumes or condensates of harmful substances generated within or about the building(s) or fixture(s) to which the Product has been applied;

C. defects in the Product are a result of mechanical or chemical damage, which occurred during shipment or storage prior to use;

D. defects are a result of acts of nature or other external forces, including but not limited to, failure to provide free drainage of water from around the areas in which the Product has been installed.

III. To the extent permitted by law, this warranty is given in lieu of all other warranties, express or implied, including any warranty of merchantability or fitness for a particular purpose. Where so permitted, the remedies stated herein are exclusive remedies and SBC Industries shall not be responsible for any indirect, consequential or incidental damages or further loss of any kind whatsoever except as expressly provided for in this Warranty.

1765 Opa Locka Blvd  
Miami, FL 33054  
Phone: 800-228-2580  
Fax: 305-685-6360