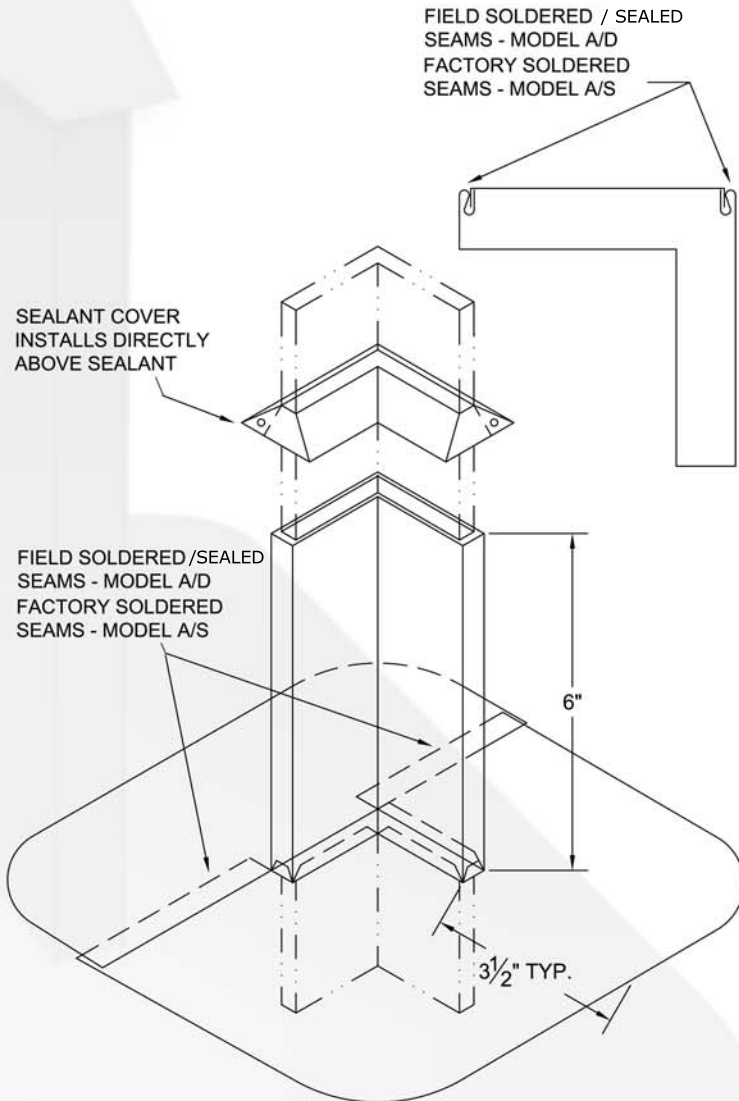
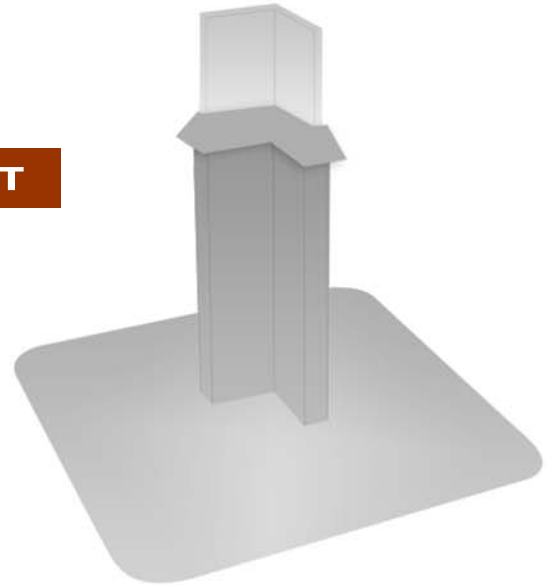


SPECIFICATION SHEET

ANGLE FLASHING

MODELS A/S, A/D



Model A/D

Two-piece / Split Flashing

Intended Use:

Designed for new or re-roof applications. Unit is typically used on angle irons that support mechanical equipment, ducts, and equipment screens.

Model A/S

One-piece / Slipover Flashing

Intended Use:

Primarily for new construction and project fabricate structure flashings.

Advantages and Unique Features:

1. Prefabricated to proper fit on angle iron from 1 1/4" - 6" and slopes to 45 degrees.
2. Impervious to damage by U.V. and most chemicals. Sealant covers provide total U.V. shielding.
3. Requires absolutely no maintenance.

Materials:

1. 26 Ga. stainless steel type 304 2B finish ASTM A240
2. 50% lead / 50% tin ASTM B32 or specify non lead solder ASTM 96.5TS

Available for slopes to 45 degrees..