



THE SPECIFIED FLASHINGS ROOFERS *CHOOSE* TO USE!

INSTALLATION INSTRUCTIONS

MODEL H/D

H BEAM FLASHING
TWO-PIECE / DIVIDED

INSTRUCTIONS MODEL H/D

1. HOLDING ONE BASE-STACK HALF IN EACH HAND, MATE HALVES TOGETHER AROUND BEAM STARTING AT TOP AND WORKING DOWN. TACK SOLDER BASE TOGETHER.
2. SOLDER / SEAL VERTICAL SEAMS, THEN THE BASE FLANGE SEAMS.
3. INSPECT ALL SEAMS FOR FLAWS OR MISSES AND CORRECT AS REQUIRED.
4. CLEAN BEAM DIRECTLY ABOVE STACK USING APPROPRIATE CLEANER.
5. INSERT BACKER ROD BETWEEN BEAM AND FLASHING AND PUSH DOWN APPROXIMATELY $3/8''$ TO FORM A POCKET.
6. APPLY URETHANE SEALANT INTO POCKET AT TOP OF FLASHING AND TOOL FOR POSITIVE RUNOFF.
7. POP RIVET SEALANT COVER TOGETHER DIRECTLY ABOVE SEALANT AND APPLY BEAD OF SEALANT AROUND TOP AND TOOL.



NOTE:

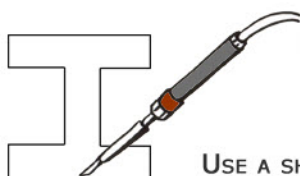
ROOF PREPARATION PRIOR TO SETTING **SBC** ROOF PENETRATION FLASHINGS ON ROOF, PRIMING, AND STRIP FLASHING AFTER SHOULD BE IN STRICT ACCORD WITH MEMBRANE MANUFACTURER'S SPECIFICATIONS.

IMPORTANT:

NO SEAMS ON THIS UNIT ARE MANUFACTURED WATERTIGHT. ALL SEAMS REQUIRE FIELD SOLDERING/SEALING.

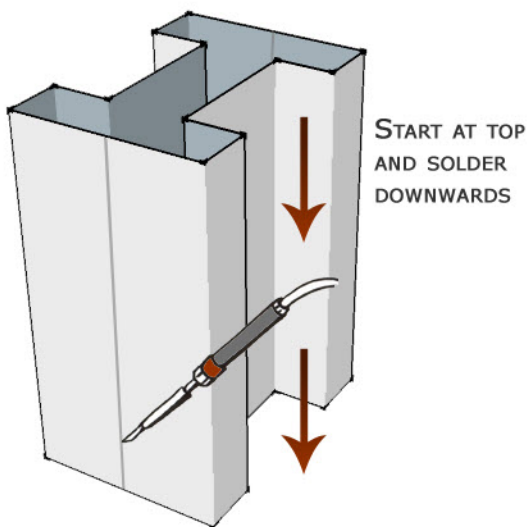
To SOLDER SEAMS:

1. APPLY A LIQUID FLUX INTENDED FOR USE WITH STAINLESS STEEL
LLOYD'S STAINLESS STEEL FLUX BY JOHNSON MANUFACTURING
563-289-5123
2. USE PYRAMID OR CHISEL SHAPED SOLDERING COPPER TOOLED TO
A SHARP POINT.
3. USE THIN BARS OF 50/50 SOLDER.



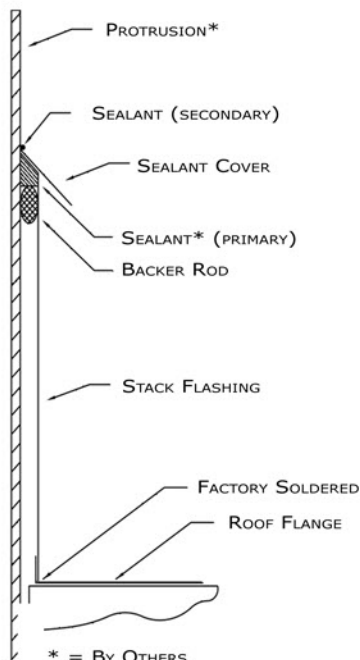
PLAN VIEW

USE A SHARPLY
POINTED
SOLDERING IRON



START AT TOP
AND SOLDER
DOWNWARDS

SIDE VIEW



* = BY OTHERS

LIMITED WARRANTY

EXPRESS WARRANTY:

SBC INDUSTRIES EXPRESSLY WARRANTS THAT ALL MATERIALS WILL BE IN ACCORDANCE WITH SBC INDUSTRIES SPECIFICATIONS.

FURTHERMORE, SBC INDUSTRIES EXPRESSLY WARRANTS THAT ALL PRODUCTS WILL BE MANUFACTURED TO DIMENSIONS AND CONFIGURATIONS AS ORDERED BY BUYER.

DISCLAIMER:

SBC INDUSTRIES MAKES NO OTHER WARRANTIES OF ANY KIND, EXPRESSED, OR IMPLIED.

REMEDIES:

BY ACCEPTANCE OF ANY PRODUCT MANUFACTURED BY SBC INDUSTRIES, BUYER AGREES THAT THE SOLE AND EXCLUSIVE REMEDY FOR ANY BREACH OF WARRANTY AS STATED ABOVE SHALL BE LIMITED TO THE REPLACEMENT OF ANY NONCONFORMING PRODUCT WITH A CONFORMING PRODUCT.



1765 OPA LOCKA BLVD

MIAMI, FL 33054

PHONE 800.228.2580

FAX 305.685.6360